

A
B
C
D

A
B
C
D

1

2

3

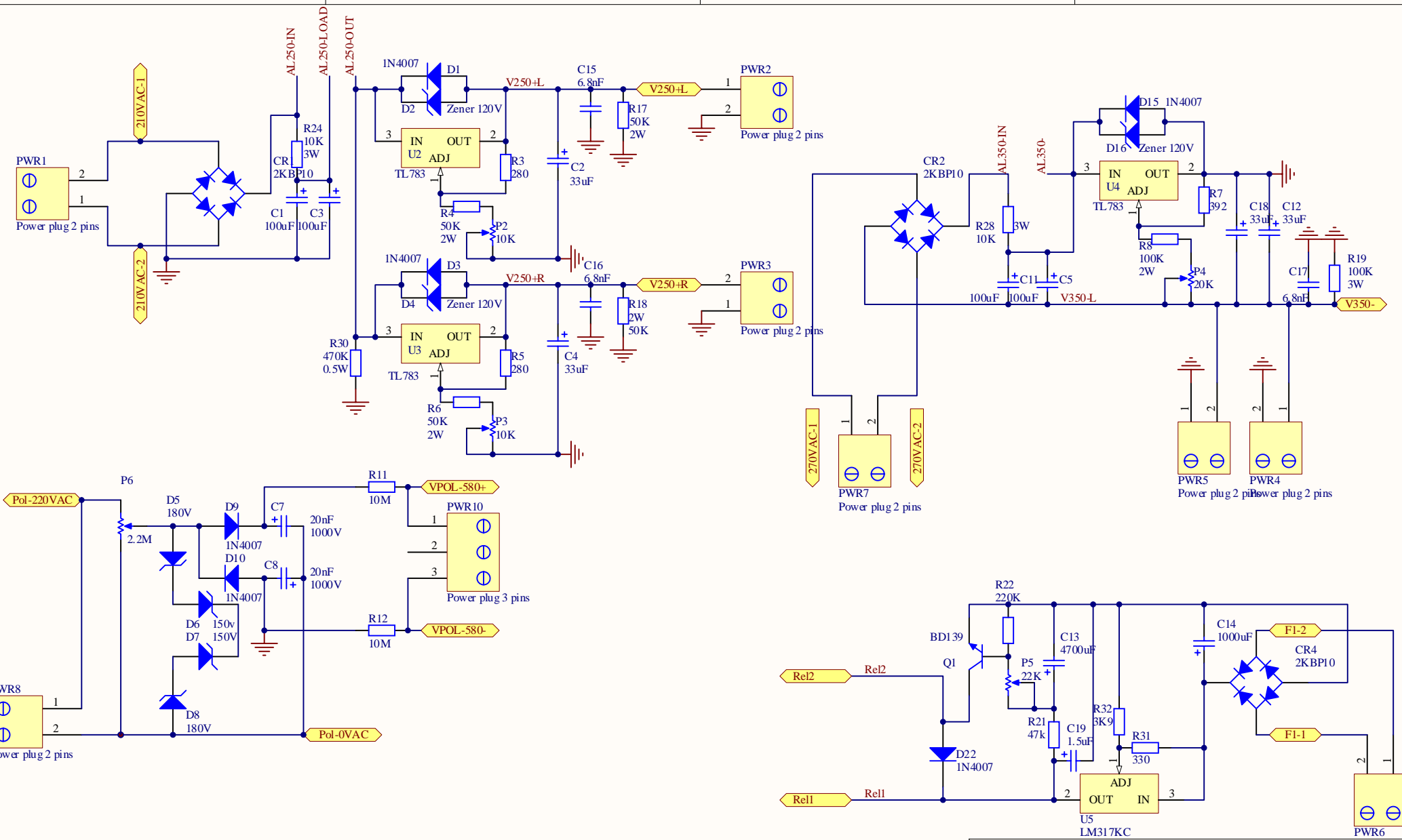
4

1

2

3

4



Title		
Size	Number	Revision
A4		
Date:	3/12/2005	Sheet of
File:	E:\Electronique\..Power Supply-Thierry.Sch... Down By:	

